

# Tuxedo Finials



DTX01/TTR



DTX05/BWD



DTX10/ACR



DTX11/ACR

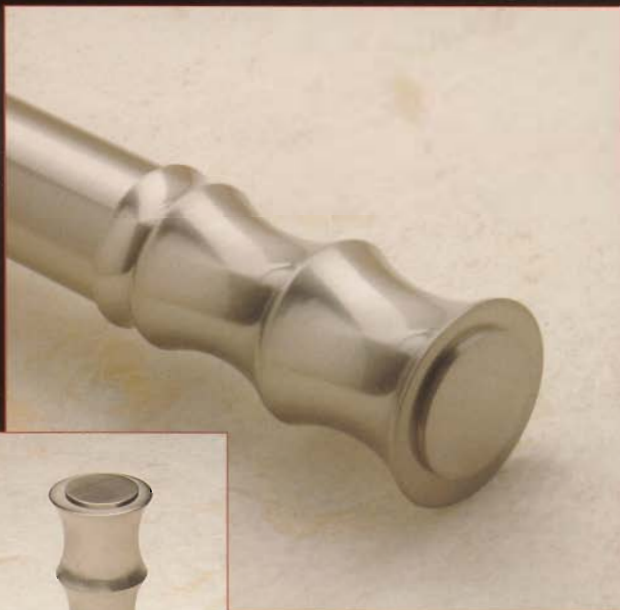
# Tuxedo Finials



DTX09/STL



DTX06/BWD



DTX08/STL



DTX02/IVR

# Tuxedo Finials



DTX07/STL



DTX03/TOR



DTX04/BWD

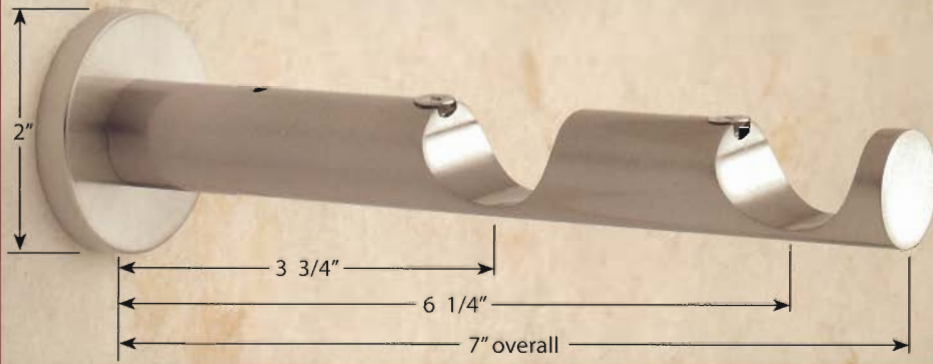


DTX12/STL

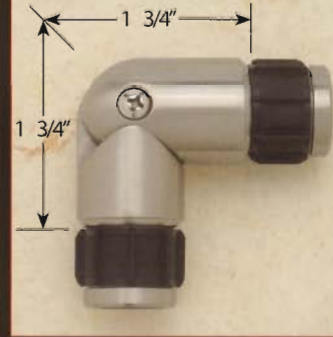


# Tuxedo Drapery Hardware

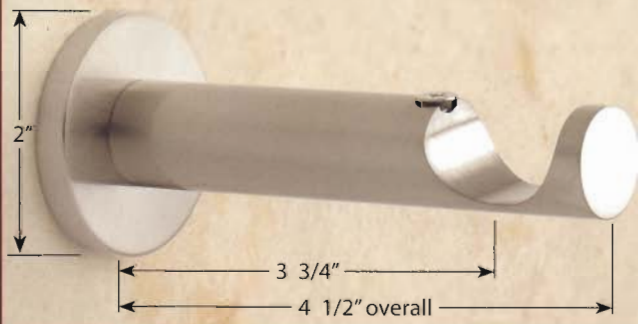
## 1 1/8" Accessories



DTX42/STL 6 1/4" Double Steel Bracket



DTX51/STL  
Adjustable Steel Elbow



DTX41/STL 3 3/4" Single Steel Bracket

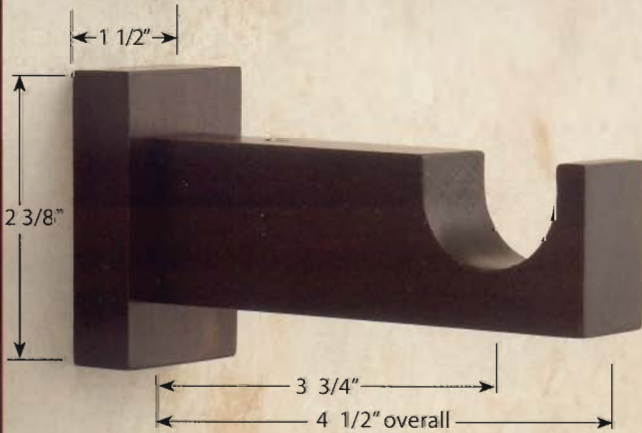


DTX31/STL  
1 1/2" I.D. Steel Ring



DTX30/BWD  
1 3/8" I.D. Beechwood

DTX20/STL 4 Ft. Steel Rod 1 1/8" Dia.  
DTX21/STL 8 Ft. Steel Rod 1 1/8" Dia.



DTX40/BWD 3 3/4" Single Beechwood Bracket



DTX52 Steel Rod Splice  
Connector



DTX43/STL  
Wall Flange



DXG100/RED  
1 5/8" I.D. Grommet



DXG100/CRM  
1 5/8" I.D. Grommet



DXG100/BK  
1 5/8" I.D. Grommet



DXG100/CHR  
1 5/8" I.D. Grommet



DTX50/STL  
40" Steel Baton

# Tuxedo Finial Specifications



DTX01/TTR Textured Tortoise Finial  
L: 5 1/4" - H: 1 5/8" - D: 1 1/4" - Base: 1 1/8"



DTX02/IVR Ivory Finial  
L: 5 1/4" - H: 1 5/8" - D: 1 1/4" - Base: 1 1/8"



DTX03/TOR Tortoise Finial  
L: 5 1/4" - H: 1 5/8" - D: 1 1/4" - Base: 1 1/8"



DTX04/BWD Beechwood/Steel Finial  
L: 6 1/8" - H: 1 1/2" - D: 1 1/4" - Base: 1 1/8"



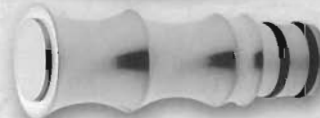
DTX05/BWD Turned Beechwood Finial  
L: 2 1/8" - H: 3 1/2" - D: 1 1/8" - Base: 1 1/8"



DTX06/BWD Beechwood Ball Finial  
L: 2 1/2" - H: 2 1/2" - D: 1 1/8" - Base: 1 1/8"



DTX07/STL Convex Steel Finial  
L: 4 1/8" - H: 1 1/2" - D: 1 1/8" - Base: 1 1/8"



DTX08/STL Turned Steel Finial  
L: 3 1/8" - H: 1 1/2" - D: 1 1/4" - Base: 1 1/8"



DTX09/STL Concave Steel Finial  
L: 4 5/8" - H: 2 1/8" - D: 1 1/4" - Base: 1 1/8"



DTX10/ACR Clear Acrylic Ball Finial  
L: 3 7/8" - H: 2 1/2" - D: 1 1/4" - Base: 1 1/8"



DTX11/ACR Turned Clear Acrylic Finial  
L: 6 1/4" - H: 1 1/4" - D: 1 1/4" - Base: 1 1/8"