

inside cover



Vesta's Archi-T-Rail collection is a uniquely engineered contemporary track system. It utilizes ingeniously machined brackets that support the special "T" rail without impeding the movement of gliders. The smaller width rail is exclusively designed for light weight treatments, while the new larger width rail will accommodate medium weight treatments. This system has been thoughtfully crafted for those special applications that require ultra modern hardware to unite form, function and fashion.

COLLECTION NOTES:

Vesta recommends additional brackets every 2-3 feet with this collection's 3/16"W rail and every 4-5 feet with the 1"W rail to properly support the weight of your treatment. For the purpose of quoting, we loosely figure 4 gliders per foot - your drapery workroom can provide a more accurate quantity. Track lengths exceeding 120" will incur significant additional freight charges. Tracks cannot be spliced in this collection.

ABBREVIATION KEY:

- D** = diameter
- H** = height
- L** = length
- P** = projection
- W** = width
- ID** = inside diameter
- OD** = outside diameter

AVAILABLE FINISH:

- SA** = satin aluminum

AVAILABILITY:

in-stock, typically ships within 24-48 hours

MATERIALS:

aluminum

PRODUCT FAMILY:

- ◆ Elegance en Vogue

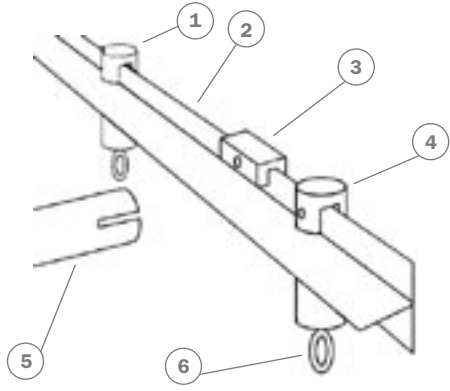
SEE IT OR SHOW IT ONLINE AT:

www.ivesta.com/eev-ax.html

archi-T-rail collection

COMPONENT SPOTLIGHT

The illustration at left details the different components involved in a typical Archi-T-Rail installation. The bracket (5) is first affixed to the wall and then the T-Track (2) is inserted into the bracket's slot. A set screw on the bottom of the bracket will hold the track in place. Next you slide on all your gliders (1). Deco plates (3), if used, are slid into place in front of your bracket positions and held in place with set screws. End stops (4), if used, are placed on the ends of the track and locked into place with set screws.



- 1. Drum Glider
- 2. T-Track
- 3. Square Deco Plate
- 4. Drum End Stop
- 5. Bracket
- 6. Eyelet



archi-T-rail collection

T-Track
 $\frac{9}{16}$ " wide
 bracket required every 2 - 3 feet

1" wide
 bracket required every 4 - 5 feet

Vesta Inc · 109 Welpine Ridge Road · Pendleton, SC 29670 · 800.638.3782 voice · 864.225.0228 fax · www.ivesta.com

01

Availability: in stock, typically ships within 24-48 hours | **Available Finish:** SA | **Materials:** aluminum | **Product Family:** Elegance en Vogue

ALL HARDWARE

▲ color/shape indicates compatibility with $\frac{9}{16}$ "W track
 ▼ color/shape indicates compatibility with 1"W track

Drum Glider w/eye
 ▲156011 - $\frac{3}{8}$ "D, 1 $\frac{1}{4}$ "L
 ▼256011 - $\frac{3}{8}$ "D, 2"L

Prism Glider w/eye
 ▲156021 - $\frac{3}{8}$ "W, 2"L
 ▼256021 - $\frac{3}{8}$ "W, 2 $\frac{3}{8}$ "L

Drum End Stop w/eye
 ▲158747 - $\frac{3}{8}$ "D, 1 $\frac{1}{4}$ "L
 ▼258747 - $\frac{3}{8}$ "D, 2"L

Prism End Stop w/eye
 ▲158748 - $\frac{3}{8}$ "W, 2"L
 ▼258748 - $\frac{3}{8}$ "W, 2 $\frac{3}{8}$ "L

Wall Bracket
 ▲152705 - 1 $\frac{1}{8}$ "D, 2"P
 ▲152708 - 1 $\frac{1}{8}$ "D, 3 $\frac{1}{8}$ "P
 ▼252705 - 1 $\frac{1}{8}$ "D, 2"P
 ▼252708 - 1 $\frac{1}{8}$ "D, 3 $\frac{1}{8}$ "P

Bracket Extension
 ▲152744 - 1 $\frac{1}{8}$ "L
 ▲152748 - 3 $\frac{1}{8}$ "L
 ▼252744 - 1 $\frac{1}{8}$ "L
 ▼252748 - 3 $\frac{1}{8}$ "L

Double Track Support
 ▼252725 - 2 $\frac{3}{4}$ "L, 2 $\frac{1}{16}$ "P

Ceiling Bracket
 ▼252735 - 1 $\frac{7}{8}$ "D, 2"P

Inside Mount
 ▲152700 - $\frac{9}{16}$ "H, 1"L
 ▼252700 - $\frac{9}{16}$ "H, 1 $\frac{1}{16}$ "L

T-Track
 ▲158190 - $\frac{9}{16}$ " x $\frac{9}{16}$ " x $\frac{1}{12}$ "
 ▼258190 - 1" x 1" x $\frac{1}{8}$ "

*sold by the foot but will cut to your specifications, no charge

Circle
 Deco Plate
 ▲157420 - 1"D
 ▼257420 - 1 $\frac{1}{4}$ "D

Quad
 Deco Plate
 ▲157430 - $\frac{3}{4}$ " x $\frac{3}{4}$ "
 ▼257430 - 1 $\frac{1}{16}$ " x 1 $\frac{1}{16}$ "

Square
 Deco Plate
 ▲157440 - $\frac{3}{4}$ " x $\frac{3}{4}$ "
 ▼257440 - 1 $\frac{1}{16}$ " x 1 $\frac{1}{16}$ "

*gliders cannot pass Deco Plates



Wand
 #910100 - 39"L
 #910125 - 49"L

*available in brushed nickel - not satin aluminum

