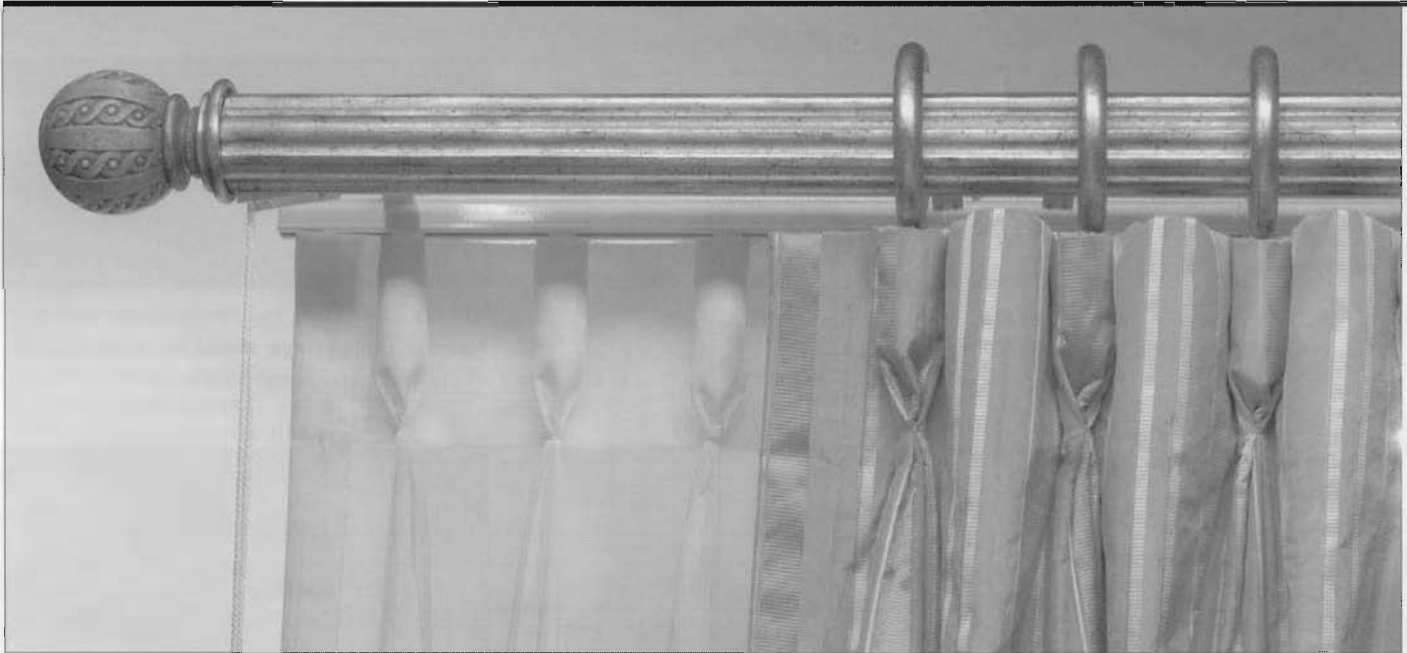


Traverse Systems



Featuring single and dual track configurations for draperies and sheers.



Our new traversing system integrates beautiful poles and finials with the best heavy duty commercial track available.

Newly designed master carriers are hidden behind drapery! Use with or without rings!

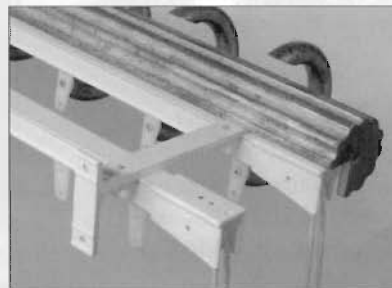
Dramatic and Functional

- Hidden master carriers on completely recessed tracks
- Tracks accommodate all existing pleat systems
- Adjustable overlapping master carriers accommodate treatments with or without decorative rings
- Pre-lubricated with Teflon/Silicon lubricant
- Tough powder-coated finish
- Rust and corrosive resistant
- Click-on brackets and glides
- Quick to assemble and install
- Coordinates with all 2 1/4" PTH finials

This new system prevents cord sag and eliminates cord tangle with its highly efficient cord traversing system – featuring separate internal cord channels. Plus, the system can support a maximum fabric weight of up to 6 lbs./ft.



Installation is quick and easy with "smart click" brackets and click-in glides.



Top: Dual track system features a front traverse with decorative rings and rear hidden wand draw.

Left: Dual track system, mounted on 6" brackets, features two traverse tracks.

Available in five popular configurations:

- Single Traverse
- Single Wand Draw
- Dual Track with Front and Rear Traverse
- Dual Track with Front Traverse and Rear Wand Draw
- Dual Track with Front and Rear Wand Draw

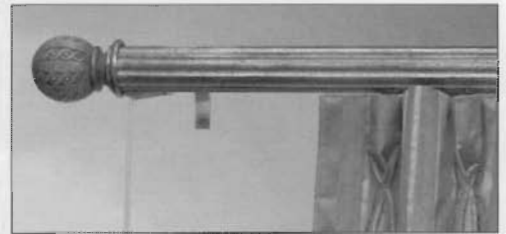
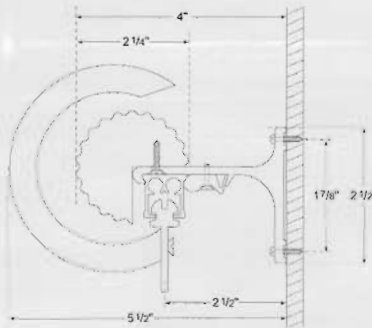
Each configuration is available with or without decorative rings, and the 2 1/4" fluted pole design coordinates with all 2 1/4" PTH finials.

Traverse Systems (continued)

Specifications

3" Brackets (Single Track)

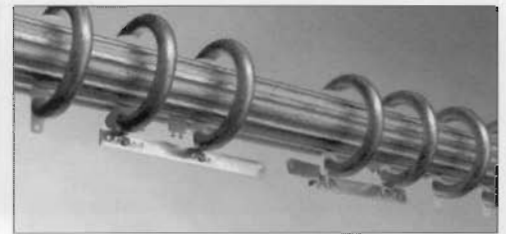
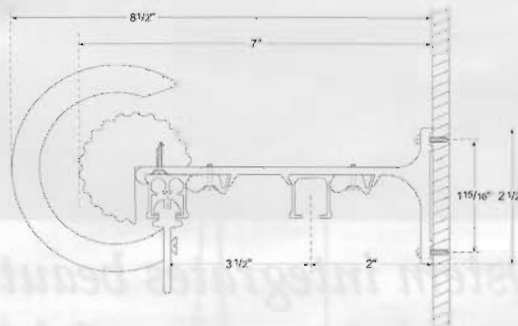
- Bracket height 2 1/2".
- 2 1/2" spacing between the back edge of the bracket and the center of the track.



Above: Single track system (with one-way traverse and no rings) shows the clean elegance of our completely recessed design.

6" Brackets (Dual Track)

- Bracket height 2 1/2".
- 2" spacing between the back edge of the bracket and the center of the rear track.
- 3 1/2" between center of front and rear tracks.



Above: Center pull master carriers shown with rings. These traverse systems can be operated with cords or wands.

Master Carrier

- Accommodates pleat widths of 2 1/4" to 4 1/4" with increments in between.
- Overlap may be 2 1/2" to 3". If using a wand, it can be mounted behind drapery on the master carrier.

Glides and Rings

- Glides feature two holes. If no rings are used, place drapery hooks in top hole.
- Distance from bottom of track to first hole in glide (for applications without rings) is 1/2". Distance from bottom of track to second hole in glide (for applications using rings) is 1 1/4".
- Glides and rings are provided in quantities of 4 per foot (including those for master carriers).
- Quantity of rings shipped will be based on cut pole length.

Capacity

- Maximum fabric weight: 6 lbs./ft.
- Available for pole lengths up to 12'.

Brackets per set: 48" sets include 2 brackets, 49" to 95" sets include 3 brackets, and 96" to 144" sets include 4 brackets.

Brackets should be placed no wider than every 48" across pole width.



Above: By recessing the track into the decorative pole, this single track one-way traverse system is ultra-stylish and completely functional. Adding a decorative finial to the end of the pole will complete the look.

Notes:

- All traverse system components are white, with the exception of the silver master carriers.
- All corded traverse sets include a tension pulley.
- All wand draw systems include a 3/8" diameter 36" clear acrylic wand.
- Additional rings, brackets and 48" wands are available.

Installation – Traverse Systems



Proper installation is necessary for the operation and safety of these systems. We highly recommend that these traverse systems be installed by a professional installer. We cannot guarantee satisfactory performance otherwise.

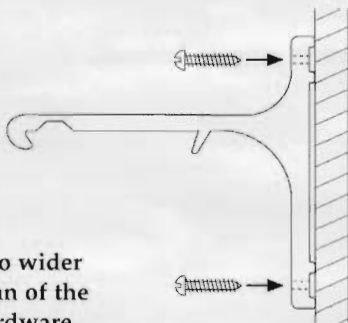
Important:

Traverse tracks are shipped with master carriers already installed.
Glides and rings are shipped separately and are easily snapped in place.

Single Track System – 3" Bracket

1

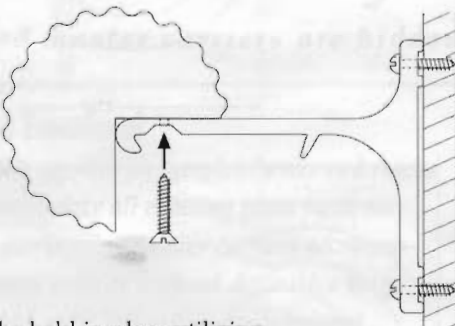
Secure 3" bracket to wall/structure with screws.
Note: These brackets will need to support the entire weight of the traverse system and draperies.



Brackets should be placed no wider than every 48" across the span of the track. Proper installation hardware must be provided by the installer based on wall type/material.

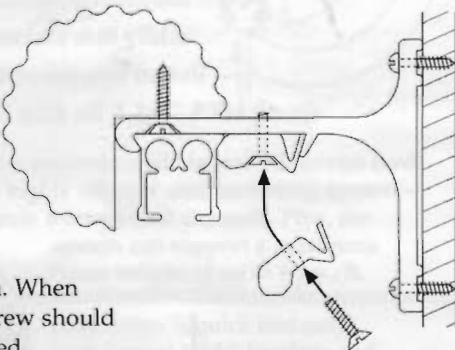
2

Attach pole to brackets using 1 screw per bracket.



3

Traverse track will be held in place utilizing the support notch at the end of the bracket and plastic tabs. For some installations it may be possible to screw the plastic tab loosely into position before fitting the track into the notch. When track is in place, screw should be securely tightened.



4

Insert the individual glides and rings by clicking them into the track as shown.

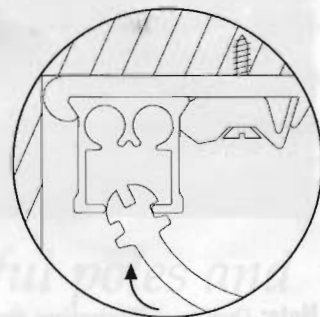
Master Carrier

The master carriers will accommodate a pleat width of 2 1/4" to 4 1/4" with increments in between. Use the holes predrilled on the arms to adjust for pleat width.

Overlap may be 2 1/2" to 3".

Glides

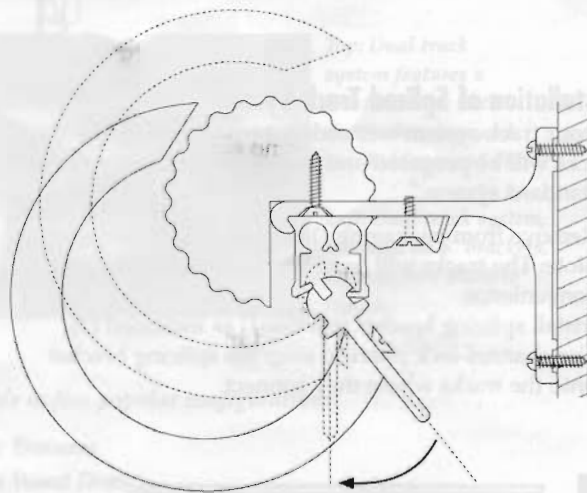
Individual glides can easily be added or removed by simply clicking them in as shown. Be sure that track is securely fastened before adding/removing glides.



Decorative Rings

The rings are attached to the top hole in the glides.

To install rings, position the glide into the back edge of the track and rotate the ring up and over the pole. Glides will click into place.



After installing tracks, recheck all screws and tabs to be sure each item is securely fastened.

MAXIMUM FABRIC WEIGHT: 6 lbs./ft.

Installation – Traverse Systems (continued)

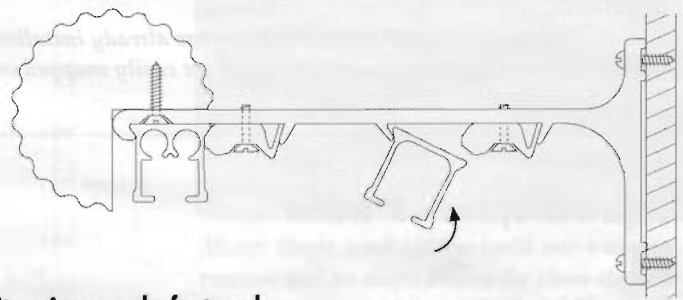


INSTALLATION – TRAVERSE SYSTEMS

Dual Track System – 6" Bracket

Follow all steps described for the 3" brackets.

NOTE: The rear track will be held in place utilizing the support notch in the center of the bracket and the plastic tabs. Screw the plastic tab loosely into position before fitting the track into the notch. The track can then be clicked into position using a rotating motion as shown. (Wand draw track shown.)

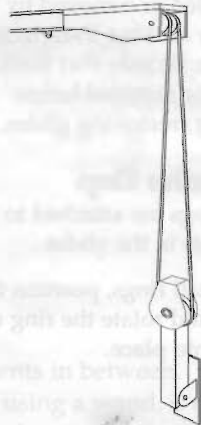


After installing tracks, recheck all screws and tabs to be sure each item is securely fastened.

MAXIMUM FABRIC WEIGHT: 6 lbs./ft.

Tension Pulley

Every corded set includes a tension pulley.

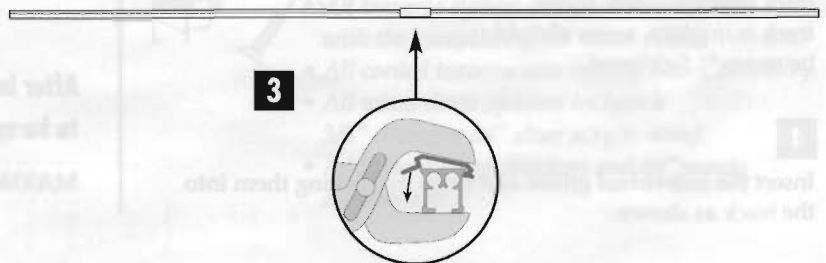
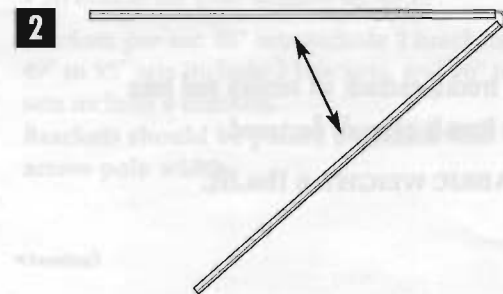


Note: Dual track illustrations show a traverse track in the front position and a wand draw track in the rear position. Wand draw tracks do not have cord runs and feature white end caps.

Installation of Spliced Track System

If your track system was ordered to be spliced, the tracks will be prepared and packaged differently from a standard system.

- Remove from packaging (1) and unfold end-to-end (2).
Note: The tracks will have been pre-corded for your convenience.
- Install splicing bracket (enclosed) as indicated (3).
Use channel-lock pliers to snap the splicing bracket onto the tracks where they connect.



Specifications

