



# *Versailles*

*Water Gilded & Hand Painted Drapery Hardware*

**BRIMAR<sup>®</sup>**

*Versailles embodies metallic brilliance by virtue of water gilding. This unique ancient art entails artisans hand applying layers of gesso and red clay followed by a meticulous process utilizing water to aid in the application of the gold or silver leaf. Select details are then polished revealing the clay for an elegant aged affect. Beautiful handpainted pieces in a rich dark walnut grain also complement the collection.*



*Antique Silver Gilt*

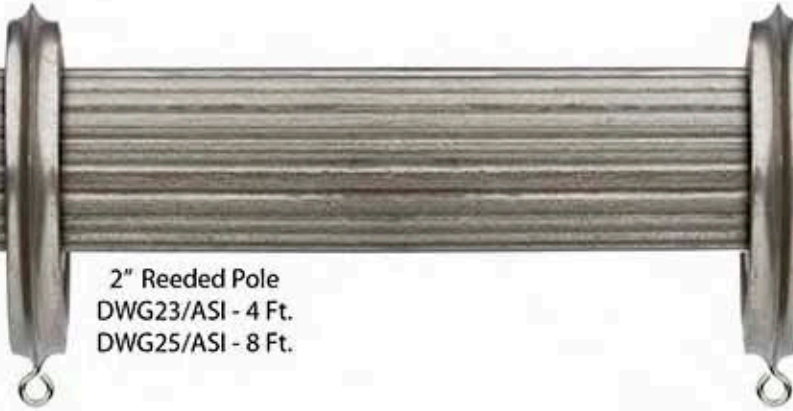
DWG02/ASI  
Crown



DWG05/ASI  
Laurel



2" Reeded Pole  
DWG23/ASI - 4 Ft.  
DWG25/ASI - 8 Ft.



DWG06/ASI  
Lyre



DWG03/ASI  
Sceptre



2" Smooth Pole  
DWG20/ASI - 4 Ft.  
DWG22/ASI - 8 Ft.



DWG01/ASI  
Fleur



DWG04/ASI  
Gem



DWG30/ASI  
2 3/4" I.D. Ring



DWG41/ASI  
4 1/2" Decorative Bracket



*Antique Gold Gilt*

DWG02/AGO  
Crown



DWG05/AGO  
Laurel



2" Reeded Pole  
DWG23/AGO - 4 Ft.  
DWG25/AGO - 8 Ft.

DWG06/AGO  
Lyre



DWG03/AGO  
Sceptre



2" Smooth Pole  
DWG20/AGO - 4 Ft.  
DWG22/AGO - 8 Ft.

DWG01/AGO  
Fleur



DWG04/AGO  
Gem



DWG30/AGO  
2 3/4" I.D. Ring



DWG41/AGO  
4 1/2" Decorative Bracket



*Hand Painted Dark Walnut*

DWG02/DKW  
Crown



DWG05/DKW  
Laurel



2" Reeded Pole  
DWG23/DKW - 4 Ft.  
DWG25/DKW - 8 Ft.

DWG06/DKW  
Lyre



DWG03/DKW  
Sceptre



2" Smooth Pole  
DWG20/DKW - 4 Ft.  
DWG22/DKW - 8 Ft.

DWG01/DKW  
Fleur



DWG04/DKW  
Gem



DWG30/DKW  
2 3/4" I.D. Ring



DWG41/DKW  
4 1/2" Decorative Bracket



*Antique Bronze Gilt*

DWG02/ABZ  
Crown



DWG05/ABZ  
Laurel



2" Reeded Pole  
DWG23/ABZ - 4 Ft.  
DWG25/ABZ - 8 Ft.

DWG06/ABZ  
Lyre



DWG03/ABZ  
Sceptre



2" Smooth Pole  
DWG20/ABZ - 4 Ft.  
DWG22/ABZ - 8 Ft.

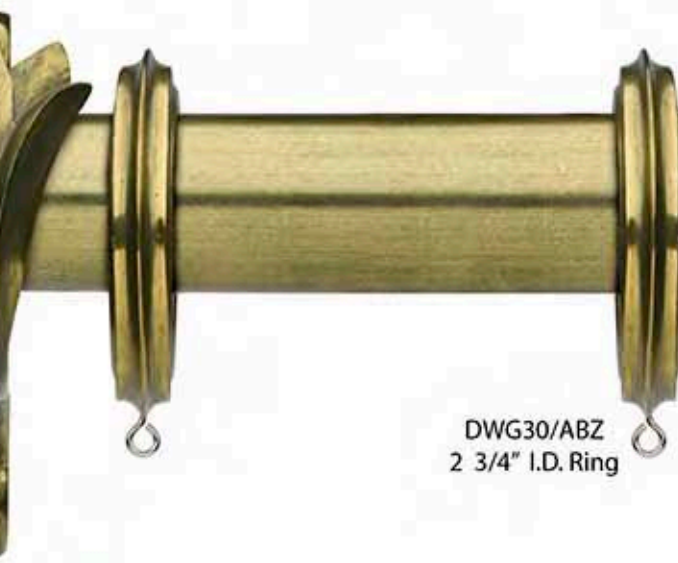
DWG01/ABZ  
Fleur



DWG04/ABZ  
Gem



DWG30/ABZ  
2 3/4" I.D. Ring



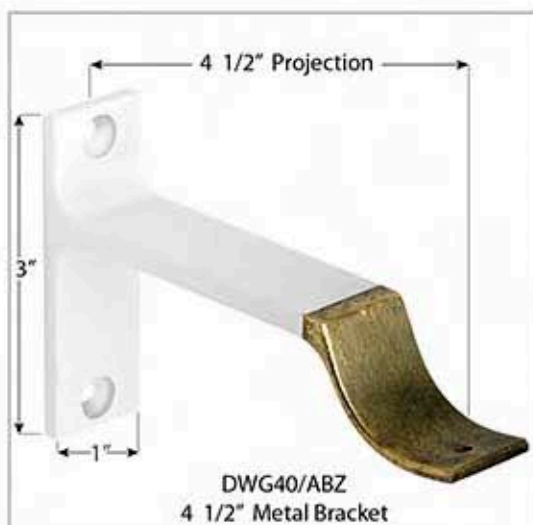
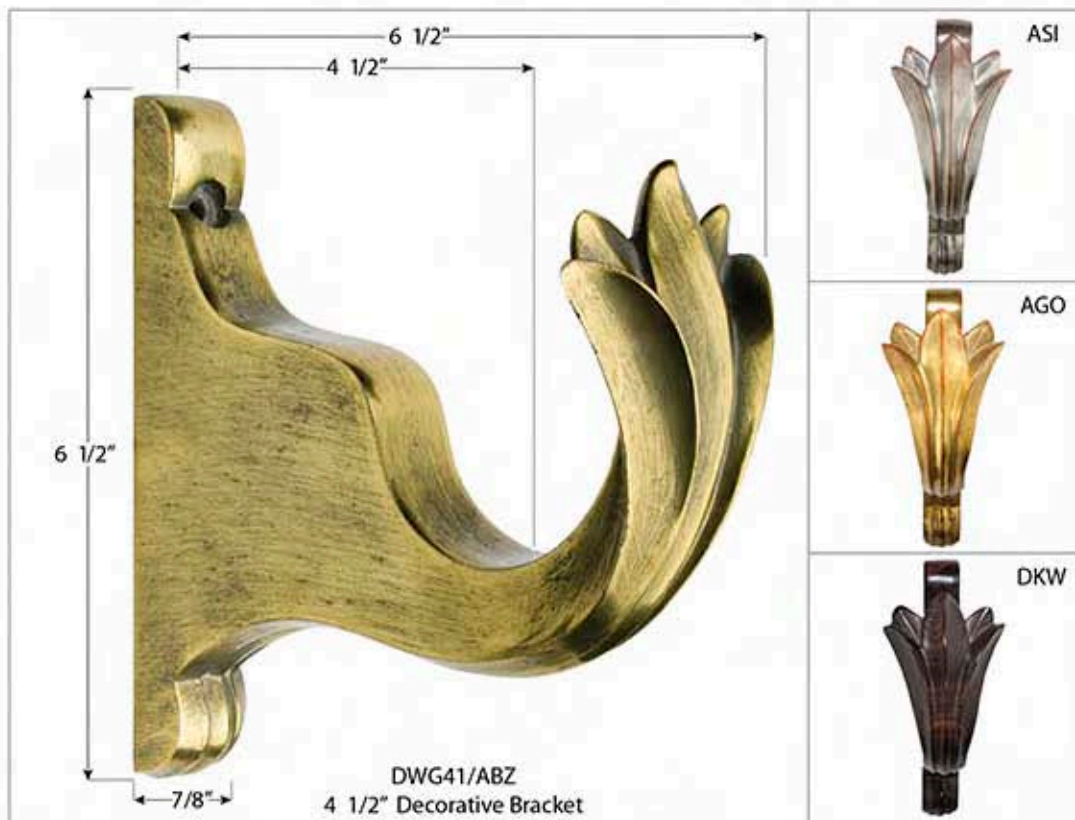
DWG41/ABZ  
4 1/2" Decorative Bracket



*Versailles Tieback Rosettes*

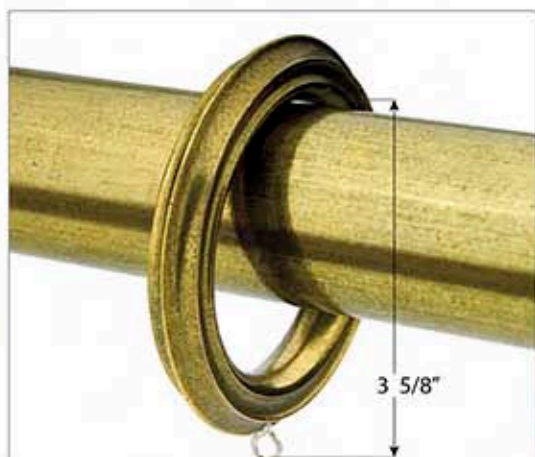


# Versailles Accessories

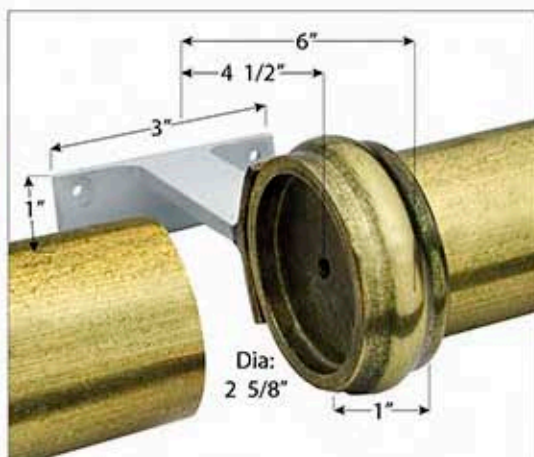




# Versailles Accessories



DWG30/ABZ  
2 3/4" I.D. Ring



DWG60/ABZ Splice Connector  
and DWG42/ABZ Center Bracket



*...the perfect marriage of a rich walnut graining  
and gracefully gilded silver.*

## *Versailles Specifications*



DWG02 Crown Finial  
L: 5 3/8" - H: 3 7/8" - D: 2 3/4" - Base: 2"



DWG05 Laurel Finial  
L: 5 3/8" - H: 3 3/4" - D: 2 5/8" - Base: 2"



DWG06 Lyre Finial  
L: 6 1/8" - H: 3" - D: 2 1/2" - Base: 2"



DWG03 Sceptre Finial  
L: 6 3/8" - H: 3 5/8" - D: 2 7/8" - Base: 2"



DWG01 Fleur Finial  
L: 7" - H: 4" - D: 2 7/8" - Base: 2"



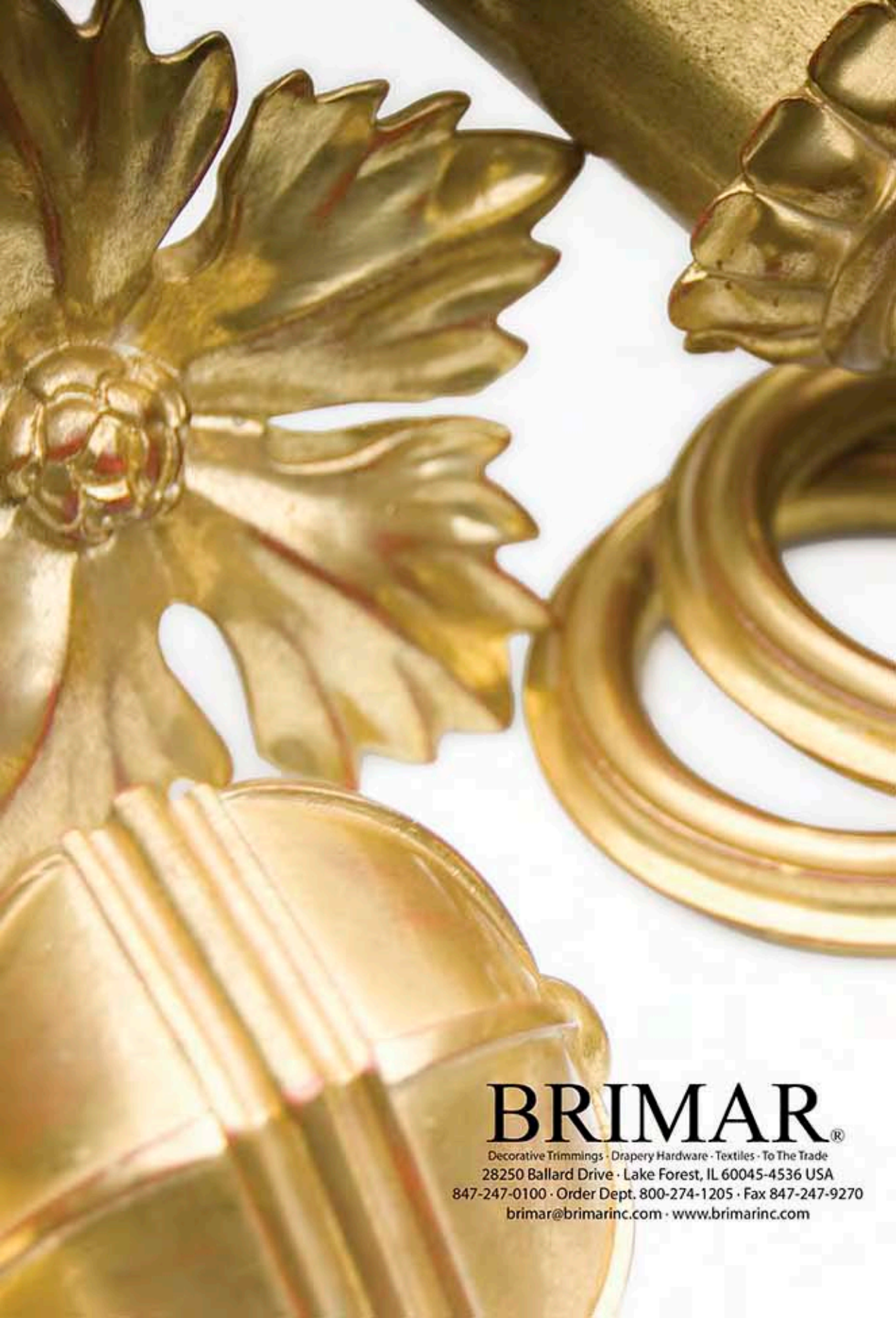
DWG04 Gem Finial  
L: 4 7/8" - H: 4" - D: 3" - Base: 2"



DWG50 Roi Rosette with Post  
OA Projection: 5 7/8" - Dia: 5 1/2"



DWG51 Soleil Rosette with Post  
OA Projection: 5 3/8" - Dia: 4"



# BRIMAR<sup>®</sup>

Decorative Trimmings · Drapery Hardware · Textiles · To The Trade

28250 Ballard Drive · Lake Forest, IL 60045-4536 USA

847-247-0100 · Order Dept. 800-274-1205 · Fax 847-247-9270

[brimar@brimarinc.com](mailto:brimar@brimarinc.com) · [www.brimarinc.com](http://www.brimarinc.com)