



Fifth Avenue
BRIMAR®

1 1/4" Fifth Avenue Finials



Carnegie - DX103/SBR



Cosmopolitan - DX101/BNI



Empire - DX104/BGO



Urban - DX100/BNI

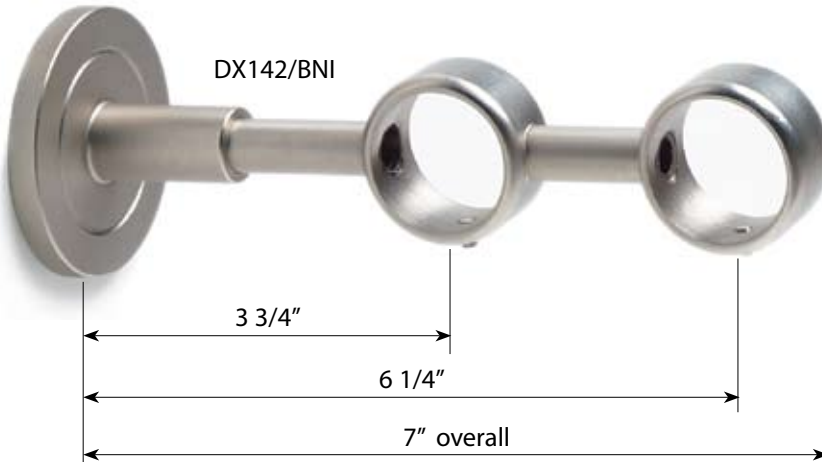
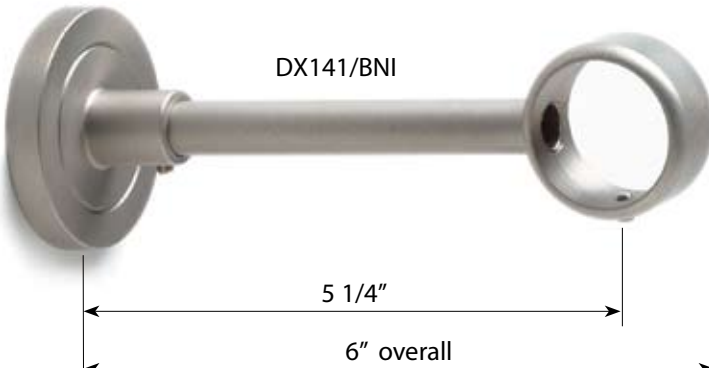
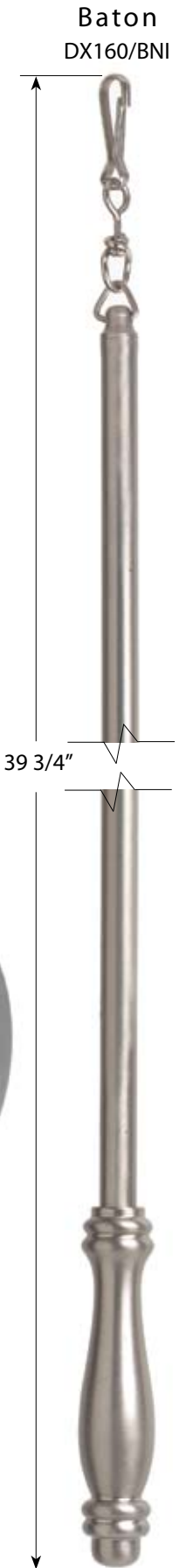
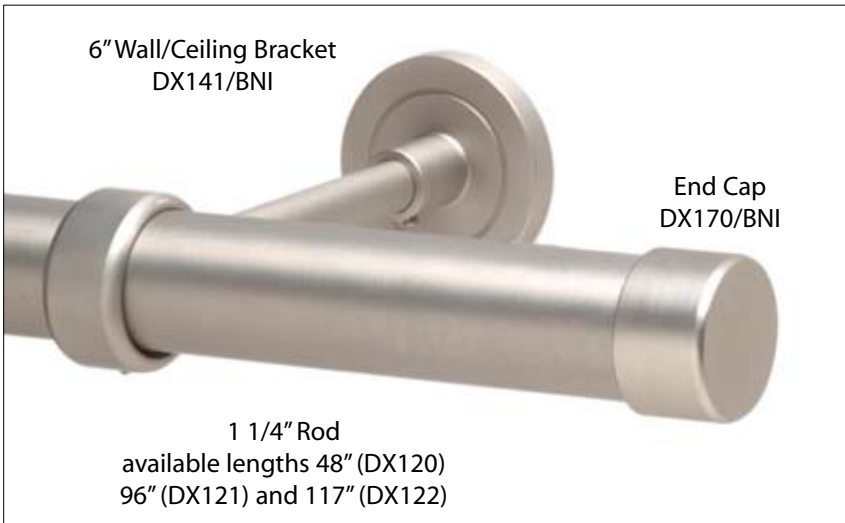


Madison - DX102/SBR



Fifth Avenue finishes available in Satin Brass (SBR), Brushed Nickel (BNI) and Brushed Gold (BGO) only.

1 1/4" Fifth Avenue Accessories



Fifth Avenue Specifications



Carnegie
L: 3 1/2" - H: 2 1/2" - D: 1 1/4" - Base: 1 1/4"
Finishes:
SBR, BNI, BGO



Cosmopolitan
L: 2 1/4" - H: 2 1/4" - D: 1 1/4" - Base: 1 1/4"
Finishes:
SBR, BNI, BGO



Empire
L: 2 1/4" - H: 1 1/4" - D: 1 1/4" - Base: 1 1/4"
Finishes:
SBR, BNI, BGO



Madison
L: 2" - H: 2 1/2" - D: 1 1/4" - Base: 1 1/4"
Finishes:
SBR, BNI, BGO



Urban
L: 2" - H: 2 1/2" - D: 1 1/4" - Base: 1 1/4"
Finishes:
SBR, BNI, BGO